



FlexKraft Air-Cooled Rectifiers

Single & Dual Outputs with optional Polarity Reversal

FlexKraft offers a complete range of switch mode DC power supplies for industrial applications in harsh environments.

The compact and modular design offers many benefits to the user.

FLEXIBILITY

Besides regular voltage control and current control, FlexKraft also offers power control that allows the use of a wide voltage and current output range.

UPGRADABLE OUTPUT POWER

The modular design allows for future increase of the output power.

SERVICEABLE

Easy access for module repair or replacement.

SPACE-SAVING

The small footprint allows for easy installation and the modular design for exceptional layout flexibility - especially with two or more power supplies assembled into one tower.

HIGH POWER FACTOR

Low reactive power consumption throughout the range reduces installation and electrical cost.

RIPPLE

Low ripple at ALL output currents.

MODULAR DESIGN

Any combination of power modules up to 60 VDC or 24 000A can be supplied.

INDIVIDUALLY CONTROLLED DUAL OUTPUTS

FlexKraft is also available with dual outputs up to 15 VDC 2 x 3000A. The two outputs are controlled 0-100% totally individually and independently.

The FlexKraft rectifiers are designed to give the best electrical performance in demanding industrial environments. The design is based on primary switching technology.

The rectifiers consist of 1–10 power modules. Together with a control module, they form a complete power supply.

POWER SUPPLY CONTROLS

Standard control interfaces:
 Digital Display and Keypad integrated into unit
 Modbus RTU/RS-485 computer interface
 Profibus DP/RS-485 computer interface

CONTROL PARAMETERS

Setting:	Outputs:
Set current	Actual current
Set voltage	Actual voltage
On / Off	On signal
Start / Stop	Run signal
Stand by / Run	Actual Amp hours
Amp hours	Actual run time
Run time	Alarm (general alarm)
Clear counters	Alarm status (cause of alarm)
	End of process

TECHNICAL DATA

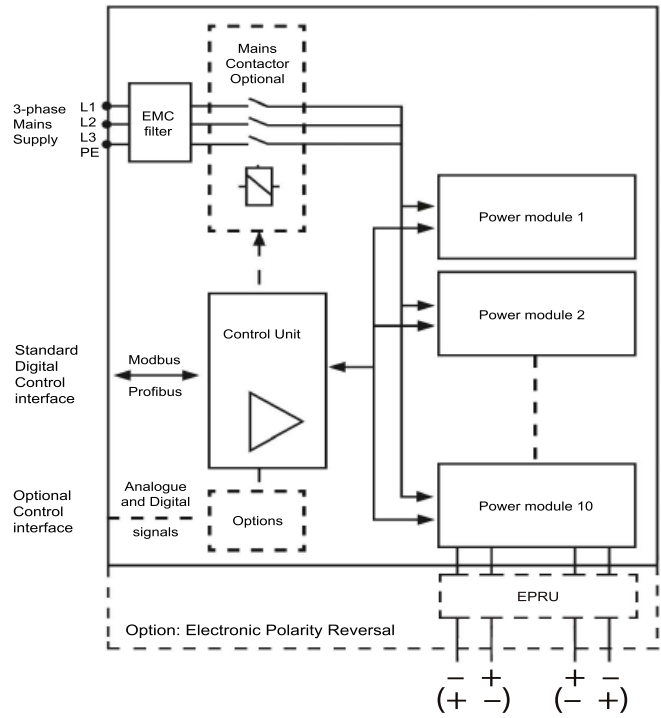
Supply voltage:	380 - 480 VAC ± 10%, 50 - 60 Hz, 3 Phase 220 VAC ± 10%, 50 - 60 Hz, 3 Phase for maximum 2x7 VDC / 300A per module
EMC conformity:	According to EN 61000-6-4, Emissions, and EN 61000-6-2, Immunity
LVD conformity:	According to EN 50178
Protection class:	IP 32 (except for fan)
Power factor:	≥ 0.93 @ rated load
Efficiency:	Typical 0.9 @ rated output
Ambient temp.:	Max. 40°C, de-rated operation up to 50°C
Cooling:	Forced air cooling
Humidity:	Max. 95% RH, non-condensing
Control precision:	Voltage/current < ± 1%
DC ripple:	≈ 1% of rated output current at constant current mode in the entire range of regulation
Regulation range:	Stepless at constant voltage or current 0–100%
Duty ratio:	Designed for continuous operation at rated load up to 1000 m altitude
Protection:	Over-current Over-voltage Overtemperature Short circuit Open circuit Module failure

OUTPUT RANGES

DC output voltage	Number of power modules									
	1	2	3	4	5	6	7	8	9	10
	Output Current (A)									
0–12 V	600	1200	1800	2400	3000	3600	4200	4800	5400	6000
0–12 V Dual	2x300	2x600	2x900	2x1200	2x1500	2x1800	2x2100	2x2400	2x2700	2x3000
0–15 V	500	1000	1500	2000	2500	3000	3500	4000	4500	5000
0–15 V Dual	2x250	2x500	2x750	2x1000	2x1250	2x1500	2x1750	2x2000	2x2250	2x2500
0–24 V	300	600	900	1200	1500	1800	2100	2400	2700	3000
0–30 V	250	500	750	1000	1250	1500	1750	2000	2250	2500
0–48 V	–	300	–	600	–	900	–	1200	–	1500
0–60 V	–	250	–	500	–	750	–	1000	–	1250
Height* (mm)	450	590	730	870	1010	1150	1290	1570	1710	1850
Weight* (kg)	49	76	102	133	160	188	220	251	286	315

* Footprint of cabinet: 500 x 610 mm, including busbars on the rear side, and excluding options (500 x 910 mm D with polarity reversal)

BLOCK SCHEMATIC DIAGRAM



OPTIONS

- Remote control box 'basic version' with analogue or digital display, potentiometers etc.
- RS 232C interface control of one dual power supply.
- Analogue/Digital interface. Four analogue inputs and four analogue outputs 0-10VDC and 4 digital in and 4 digital out 24VDC.
- Standard configuration: Iset, Uset, Iact and Uact: 0-10 VDC. On/Off, Block/Run, Power On and Alarm as digital signals: 24 VDC.
- Analogue interface with four inputs and four outputs galvanically isolated. Control and status signals either 0-10 VDC or 0/4-20 mA. Standard configuration: Iset, Uset, Iact and Uact: 0-10 VDC
- Digital interface with four inputs and four outputs. Control signals 24 VDC. Status signals via voltage free relay contacts; contact data 24 VDC or 24 VAC. Standard configuration: On/Off, Block/Run, Power On and Alarm.
- Raise / Lower function.
- Electrically controlled AC breaker.
- External reference shunt, 60 mV.
- Polarity Reversal.

Specification is subject to change without notice